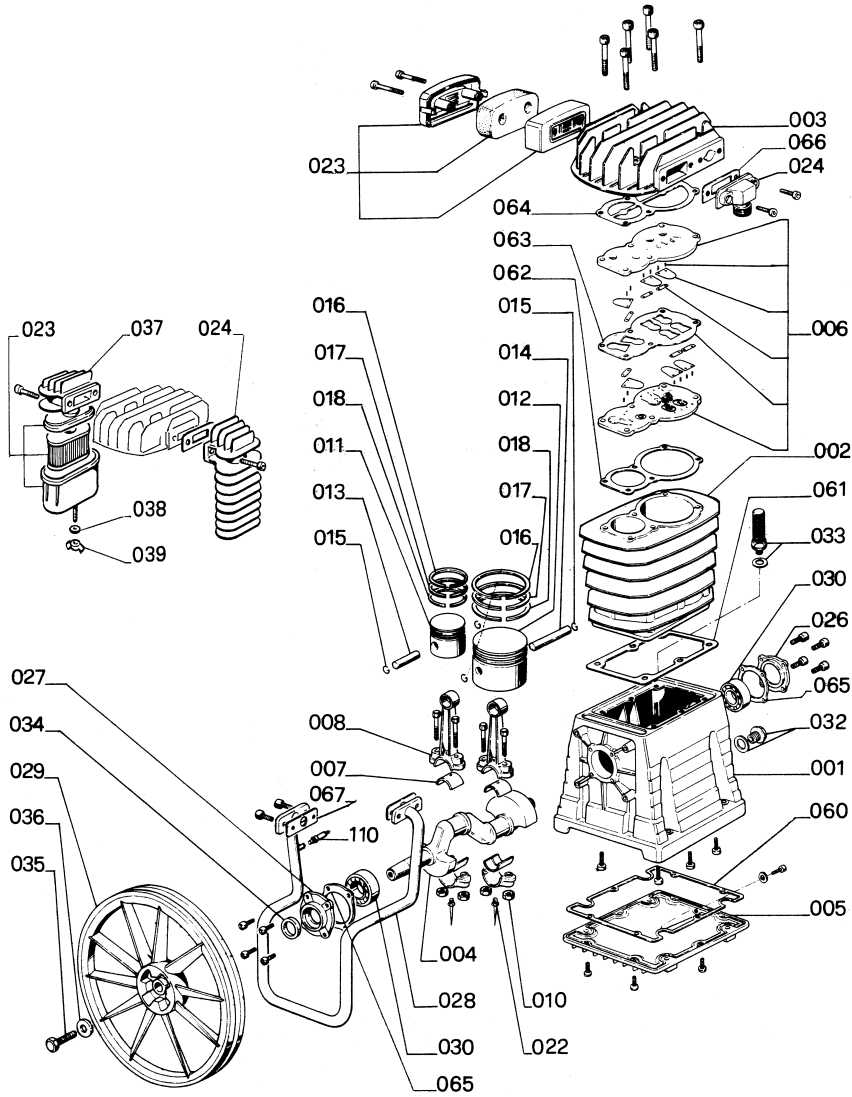
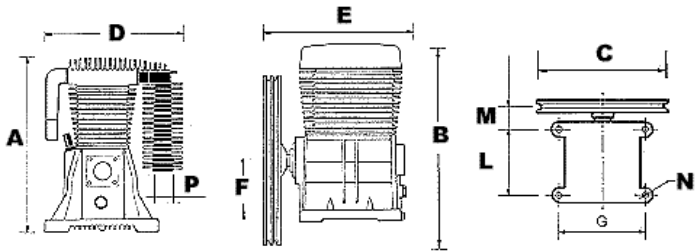


Code: 4900000

B 4900



Dimensions:



In mm

| | | | | | | | | | | |
|-----|-----|-----|-----|-----|-----|-----|-----|-----|----|--------|
| A | B | C | D | E | F | G | L | M | N | P |
| 363 | 424 | 370 | 210 | 307 | 124 | 174 | 146 | 105 | 11 | 1/2" F |

Box Weight: 15 Kg Box Dimensions: W x D x L: 301 x 376 x 432

Tightening Torques, Cylinder Head:

| | |
|-------------|----------|
| Bolt Size: | M8 |
| Min Torque: | 22.45 Nm |
| Max Torque: | 27.43 Nm |

Technical Data:

| | | |
|---------------|------------|----------|
| Cylinders: | 2 | |
| Stages: | 2 | |
| Air Flow: | 514 L/m in | 18,1 cfm |
| Power: | 3 Kw | 4 HP |
| Speed: | 1450 rpm | |
| Max Pressure: | 12 Bar | 174 psi |

Code:
B 4900

4900000



| <i>Svc</i> | <i>Ref</i> | <i>Code</i> | <i>Description</i> | <i>Qty</i> | <i>Modified</i> |
|-------------------------------------|------------|-------------|--------------------|------------|-----------------|
| <input checked="" type="checkbox"/> | 000 | 4950055 | Gasket Kit | 1 | |
| <input type="checkbox"/> | 001 | 4960100 | Crankase | 1 | |
| <input type="checkbox"/> | 002 | 4930000 | Cylinder | 1 | |
| <input type="checkbox"/> | 003 | 4961400 | Pump head | 1 | |
| <input type="checkbox"/> | 004 | 4961200 | Crankshaft | 1 | |
| <input type="checkbox"/> | 005 | 4961300 | Sump base | 1 | |
| <input checked="" type="checkbox"/> | 006 | 4940050 | Valve plate assy. | 1 | |
| <input type="checkbox"/> | 007 | 9013011 | Halfbearing | 4 | |
| <input type="checkbox"/> | 008 | 4011100 | Connecting rod | 2 | 01.10.1996 |
| <input type="checkbox"/> | 008 | 4011101 | Connecting rod | 2 | |
| <input type="checkbox"/> | 010 | 9128234 | Self locking nut | 4 | |
| <input type="checkbox"/> | 011 | 4621100 | Piston D. Pin D. | 1 | |
| <input type="checkbox"/> | 012 | 4922100 | Piston D. Pin D. | 1 | |
| <input type="checkbox"/> | 013 | 4621200 | Pin | 1 | |
| <input type="checkbox"/> | 014 | 4922200 | Pin | 1 | |
| <input type="checkbox"/> | 015 | 9140050 | Circlip | 4 | |
| <input type="checkbox"/> | 016 | 9020023 | Piston ring AC | 1 | |
| <input type="checkbox"/> | 016 | 9020055 | Piston ring AC | 1 | |
| <input type="checkbox"/> | 017 | 9020056 | Piston ring ROS | 1 | |
| <input type="checkbox"/> | 017 | 9020053 | Piston ring ROS | 1 | |
| <input type="checkbox"/> | 018 | 9020086 | Piston ring ROF | 1 | |
| <input type="checkbox"/> | 018 | 9020057 | Piston ring ROF | 1 | |
| <input type="checkbox"/> | 022 | 9014003 | Oil dipper | 2 | 01.10.1996 |
| <input type="checkbox"/> | 023 | 2281000 | Filter | 1 | 27.06.1999 |
| <input checked="" type="checkbox"/> | 023 | 4981000 | Filter | 1 | |
| <input type="checkbox"/> | 024 | 2270100 | Aftercooler | 1 | 18.06.1991 |
| <input type="checkbox"/> | 024 | 3970100 | Aftercooler | 1 | |
| <input type="checkbox"/> | 026 | 2060690 | Cover N.D.E. | 1 | |
| <input type="checkbox"/> | 027 | 2060590 | Cover D.E. | 1 | |
| <input type="checkbox"/> | 028 | 4662010 | Intercooler | 1 | |
| <input type="checkbox"/> | 028 | 4662000 | Intercooler | 1 | 31.12.1993 |
| <input type="checkbox"/> | 029 | 4000100 | Fly wheel | 1 | |
| <input type="checkbox"/> | 030 | 9170010 | Bearing | 2 | 31.05.1997 |
| <input type="checkbox"/> | 030 | 9170030 | Bearing | 2 | |
| <input type="checkbox"/> | 032 | 9022001 | Oil sight glass | 1 | |
| <input type="checkbox"/> | 033 | 9024010 | Oil fill plug | 1 | |
| <input type="checkbox"/> | 034 | 9163010 | Oil seal | 1 | |
| <input type="checkbox"/> | 035 | 9110012 | Screw | 1 | 22.10.1996 |
| <input type="checkbox"/> | 035 | 9110014 | Screw | 1 | |
| <input type="checkbox"/> | 036 | 9004008 | Fly wheel washer | 1 | |
| <input type="checkbox"/> | 110 | 9049020 | Safety valve | 1 | |

Svc = Service Item